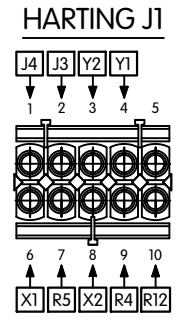
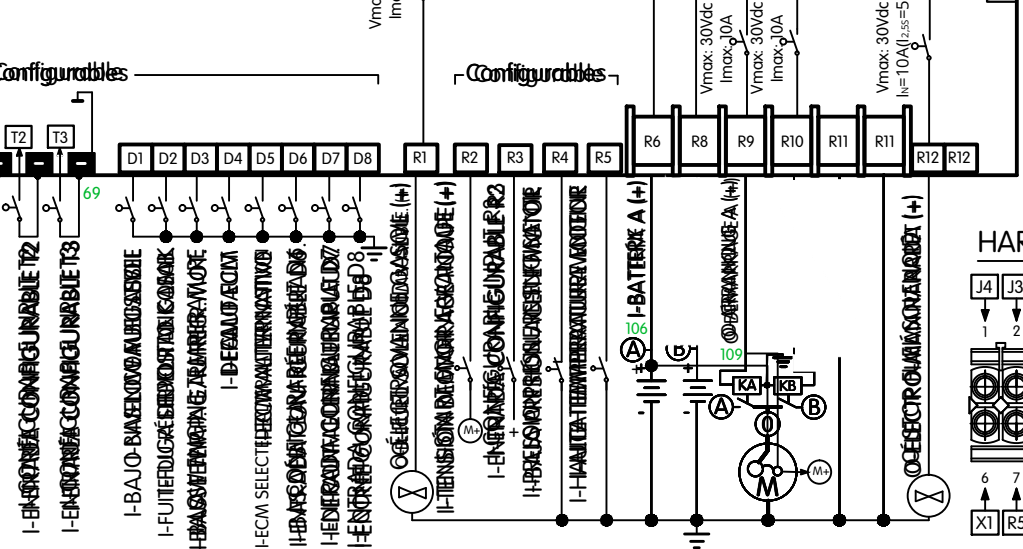
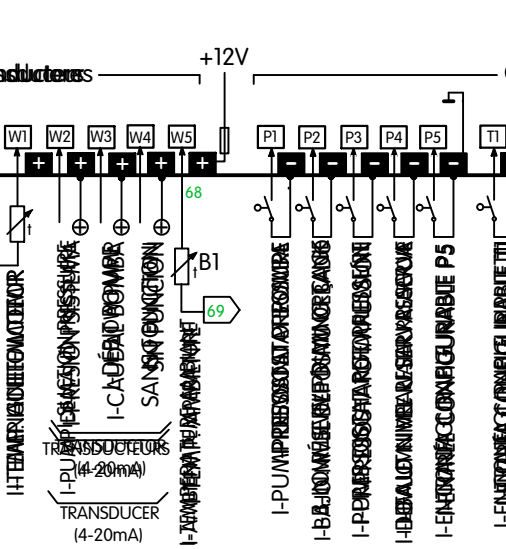
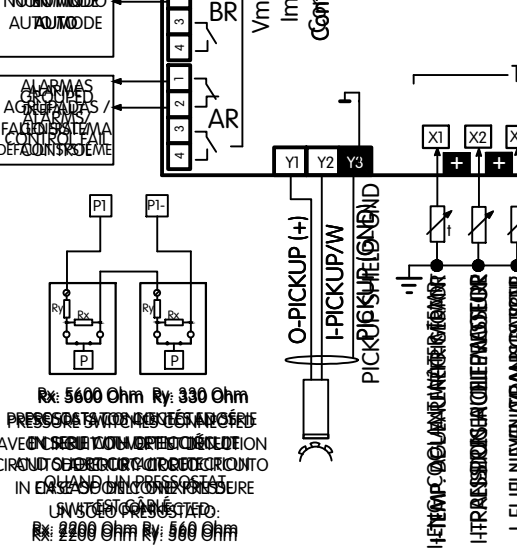
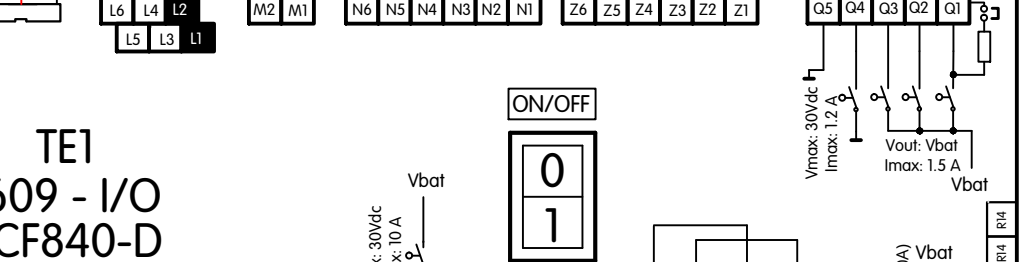
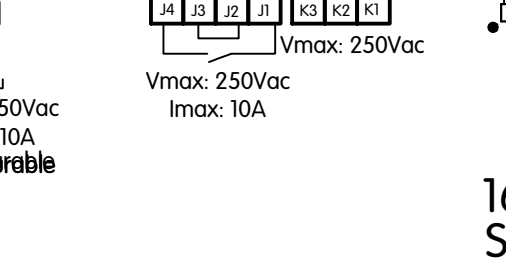
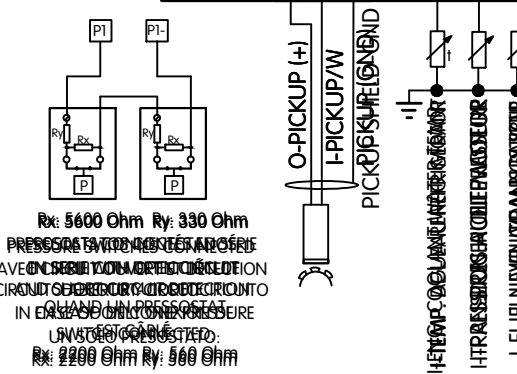
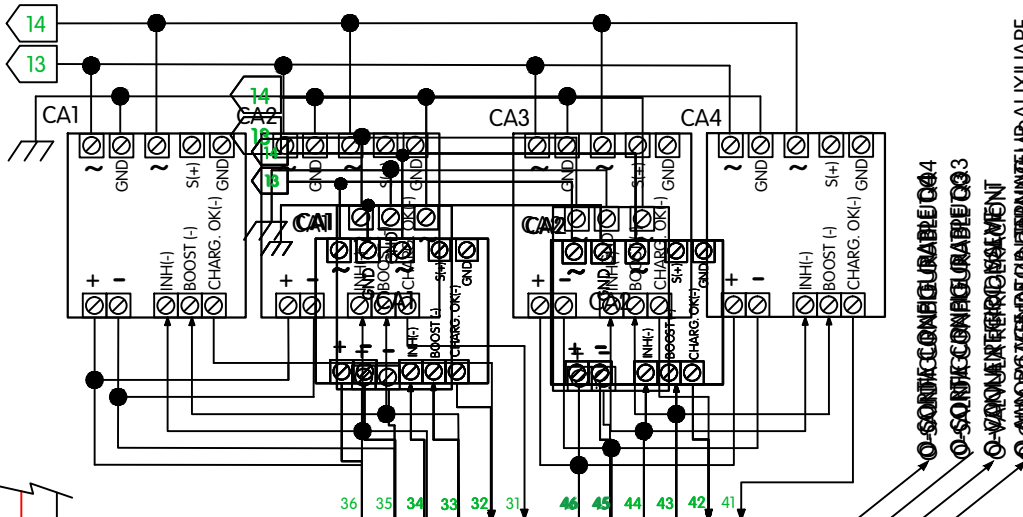
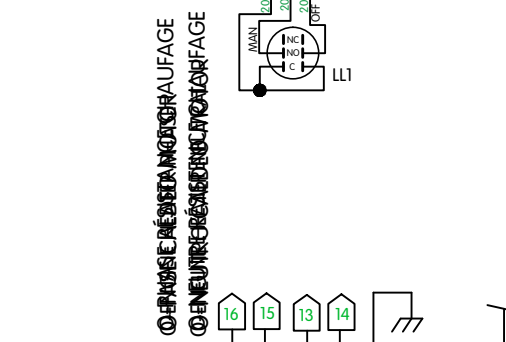
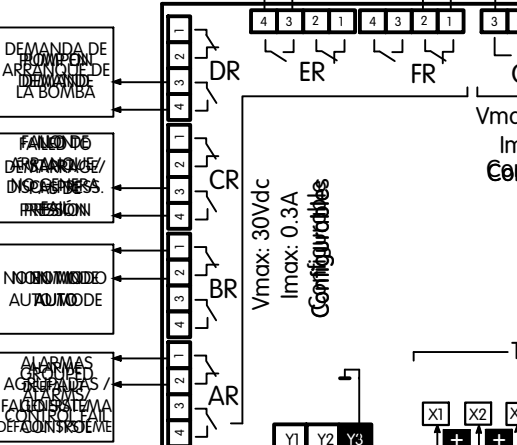
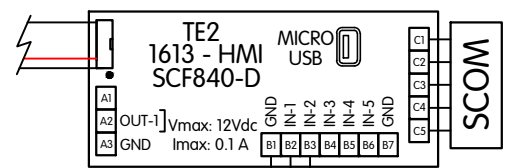
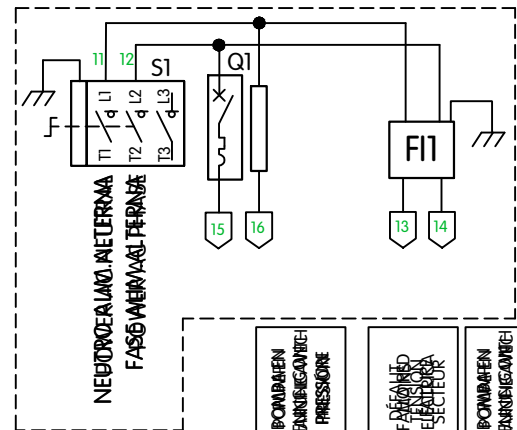


**TESTS PODIARMENTATION**



Rx: 5600 Ohm Ry: 330 Ohm  
 PRESSURE TRANSDUCER CENTER POINT  
 AVE. CENTER POINT CENTER POINT  
 CIRCUIT BOARD CENTER POINT  
 IN CASE OF CENTER POINT PRESSURE  
 UNITS ARE CENTER POINT  
 Rx: 2200 Ohm Ry: 500 Ohm

HARTING J1  
 1 2 3 4 5  
 6 7 8 9 10  
 X1 R5 X2 R4 R12